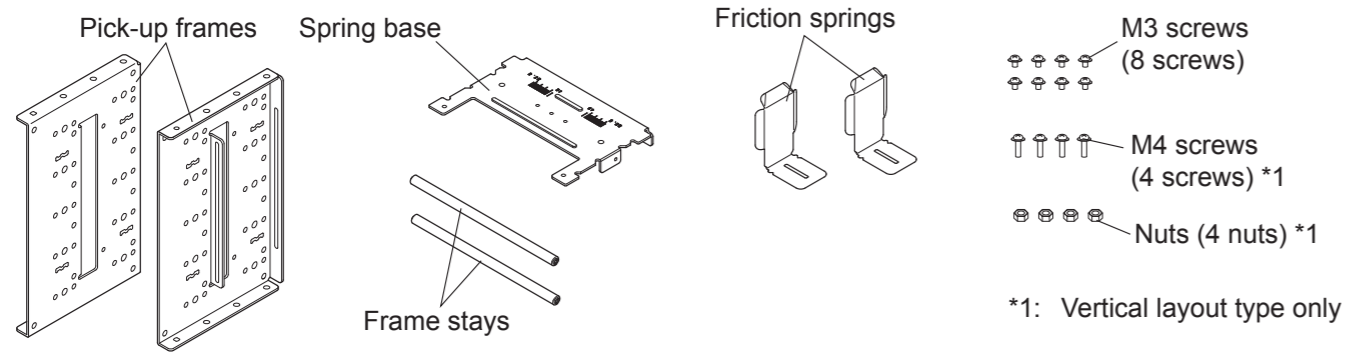


Mounting the High Volume Paper Roll Supply (RHU-T5)

1. Unpacking : Confirm that all accessories are included.



2. Mounting procedure :

The mounting procedure for a high volume paper roll depends on whether the printing unit is mounted vertically or horizontally. Refer to the following procedures for mounting.

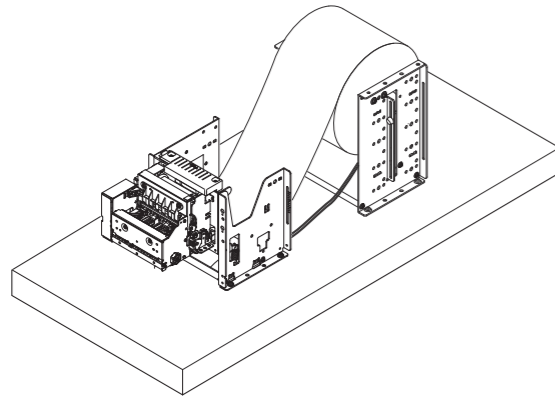


Fig. 2-A Horizontal Layout Type

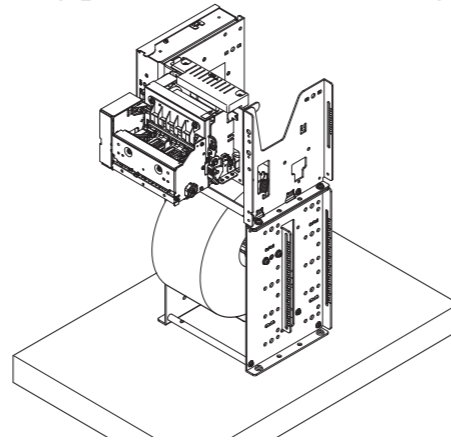


Fig. 2-B Vertical Layout Type

2-1. Assembling the Horizontal Layout Type

2-1-1. Assembling the Frame

Use the six M3 screws to mount the pick-up frame (2 pcs.) the spring base and frame stay (2 pcs). After passing the spring base through the second-row slits of the pick-up frame, tighten the screws.

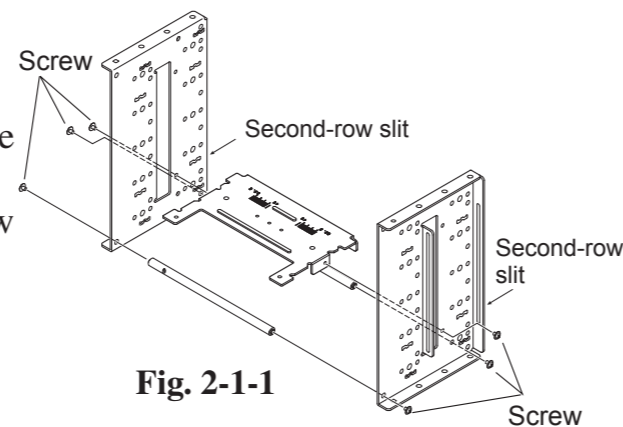


Fig. 2-1-1

Use the two M3 screws to mount the friction spring (2 pcs.).

It is necessary to adjust the mounting position of the friction spring for the width of the paper to be used.

See section 8.3 Mounting the Friction Spring in the TUP500 product specifications manual for details on how to make the adjustments.

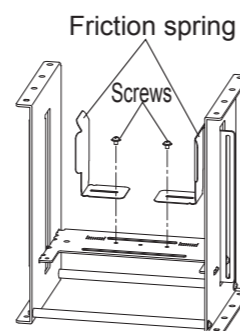


Fig. 2-1-2

2-1-3. Assembling the Bushing Unit

Mount the bushing and bushing unit to the left and right frames. However, the bushing, bushing unit, screws and nuts are not included with the high volume paper roll supply. Use the parts that came with the printer unit.

There are several holes in the left and right frames to allow you to select the position to arrange the paper roll. However, the largest diameter paper roll can be mounted at the position shown in the illustration at right.

We recommend mounting to this position.

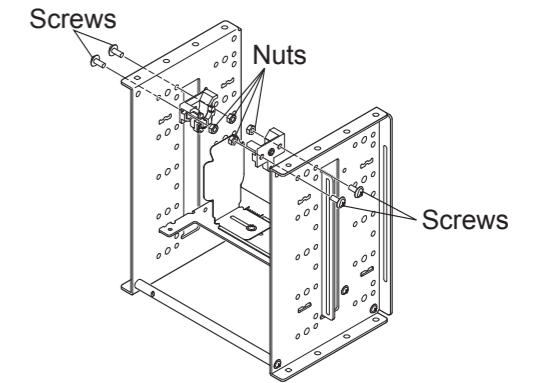


Fig. 2-1-3

2-1-4. Assembling the Paper Near End Sensor

Mount the near end sensor using the fastening screw.

However, the near end sensor and fastening screws are not included with the high volume paper roll supply.

Use the parts that came with the printer unit.

See section 8.4 in the TUP500 product specifications manual for details regarding the near-end sensor adjustment position.

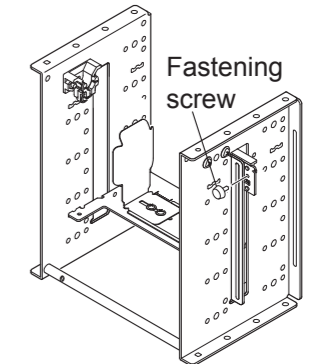


Fig. 2-1-4

2-1-5. Wiring

The cable coming from the near end sensor unit should be arranged so that it does not interfere with the paper roll.

The illustration at right shows the recommended cable layout and connections using the fastener. Note that the fastener is not included. This should be prepared by the customer.

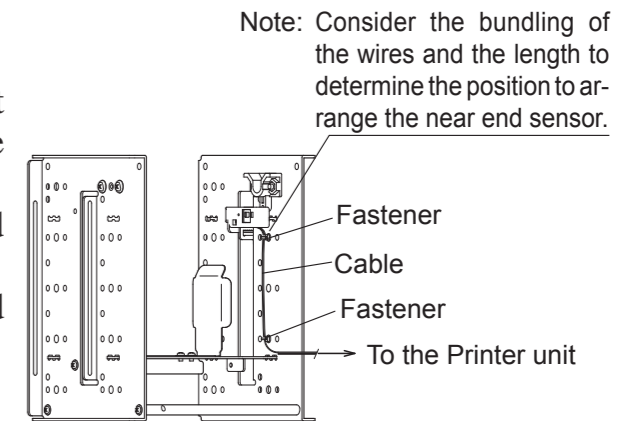


Fig. 2-1-5

Cautions in laying out cables:

Layout the cables so that they are not cut by the sharp edges in the frame.

2-1-6. Installing the optional damper roller unit

Remove the damper roller unit (A), and install the optional damper roller unit (B).

2-2. Assembling the Vertical Layout Type

2-2-1. Assembling the Frame

Use the six M3 screws to mount the pick-up frame (2 pcs.) and the frame stay (2 pcs).

After passing the spring base through the first-row slits of the pick-up frame, tighten the screws.

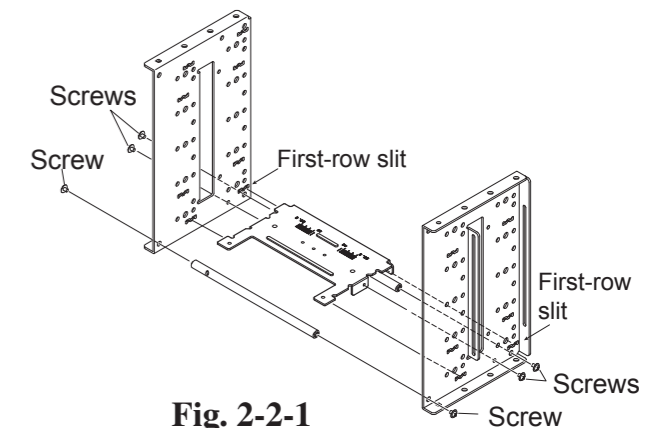


Fig. 2-2-1

2-2-2. Assembling the Friction Spring

Use the two M3 screws to mount the friction spring (2 pcs.).

It is necessary to adjust the mounting position of the friction spring for the width of the paper to be used.

See section 8.3 Mounting the Friction Spring in the TUP500 product specifications manual for details on how to make the adjustments.

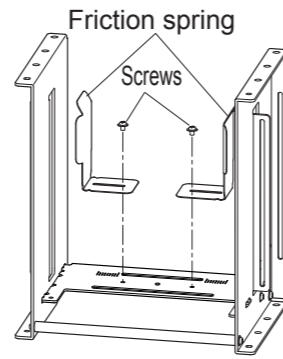


Fig. 2-2-2

2-2-3. Assembling the Bushing Unit

Mount the bushing and bushing unit to the left and right frames. However, the bushing, bushing unit, screws and nuts are not included with the high volume paper roll supply. Use the parts that came with the printer unit.

There are several holes in the left and right frames to allow you to select the position to arrange the paper roll. However, the largest diameter paper roll can be mounted at the position shown in the illustration at right.

We recommend mounting to this position.

2-2-4. Assembling the Paper Near End Sensor

Mount the near end sensor using the fastening screw.

However, the near end sensor and fastening screws are not included with the high volume paper roll supply.

Use the parts that came with the printer unit. See section 8.4 in the TUP500 product specifications manual for details regarding the near-end sensor adjustment position.

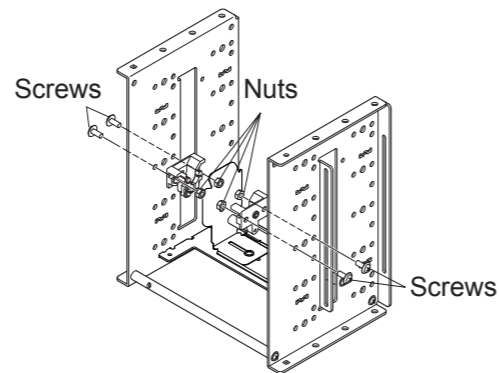


Fig. 2-2-3

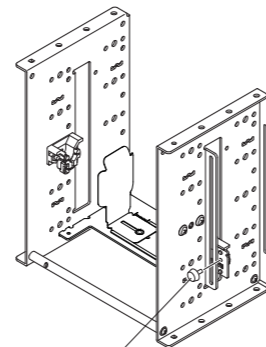


Fig. 2-2-4

2-2-5. Wiring

The cable coming from the near end sensor unit should be arranged so that it does not interfere with the paper roll.

The illustration at right shows the recommended cable layout and connections using the fastener. Note that the fastener is not included. This should be prepared by the customer.

The control board unit position is changed at item 2-2-7. Adjust the length of the cable after changing the position of the control board unit.

Cautions in laying out cables:

Layout the cables so that they are not cut by the sharp edges in the frame.

Note:

Consider the bundling of the wires and the length to determine the position to arrange the near end sensor.

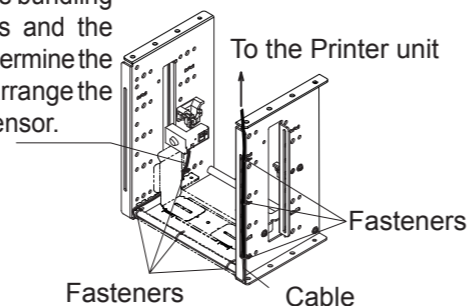


Fig. 2-2-5

2-2-6. Mounting the High Volume Paper Roll Supply

Mount the high volume paper roll supply to the printer unit using the four M4 screws and the four nuts.

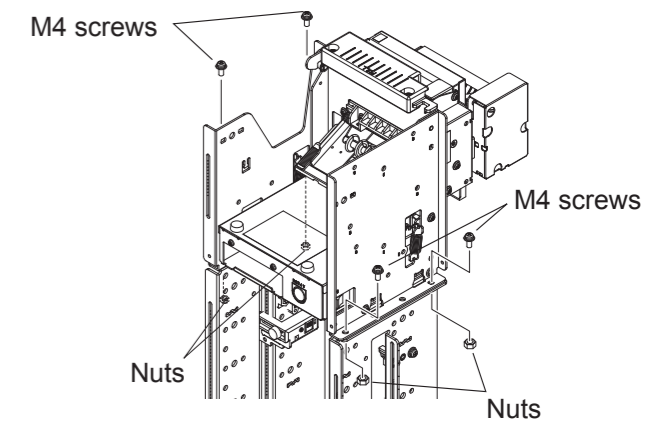


Fig. 2-2-6

2-2-7. Changing the Control Board Unit Layout

Use the following procedures to remove the control board unit that is mounted in the printer unit, and remount it on the printer side.

1. Remove the two plastic thumb screws, and remove the cover.
2. Remove four screws on the back of the control board unit, and remove the control board unit.
3. Disconnect the cables from the six connectors.
4. Use the screws that you removed to remount the control board unit on the printer unit side. The screws will not be reinstalled in their original location. Install three screws into screw holes "5" as shown on the right. Keep the remaining screw in a safe place.
5. Connect cables to the six connectors, and install the cover.
6. Layout the cable, and if necessary, use a fastener to mount the cable.

For friction spring installation details, see the section 8.3 of the TUP500 Series Product Specifications.

7. Remove the damper roller unit (A), and install the optional damper roller unit (B).

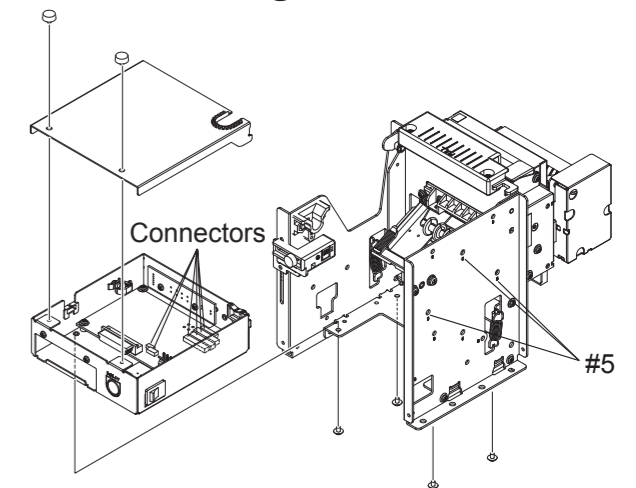


Fig. 2-2-7

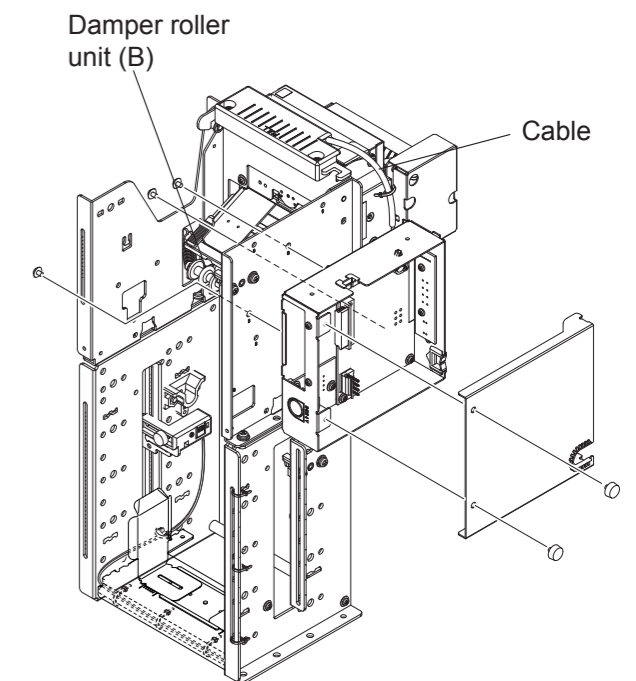


Fig. 2-2-8

3. Setting the High Volume Paper Roll Supply

Use the four screws to mount the high volume paper roll supply to the user side frame. (See the Fig. 2-A and 2-B.)

Note that the screws are not included. This should be prepared by the customer. See section 8.1 in the TUP500 product specifications manual for details.